

PRODUCT NUMBER

98464-X61-XXXLF

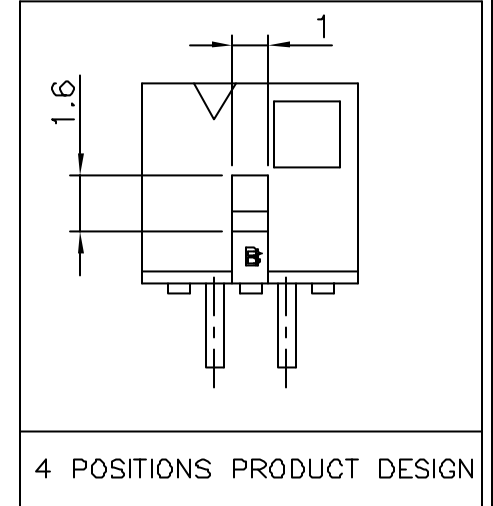
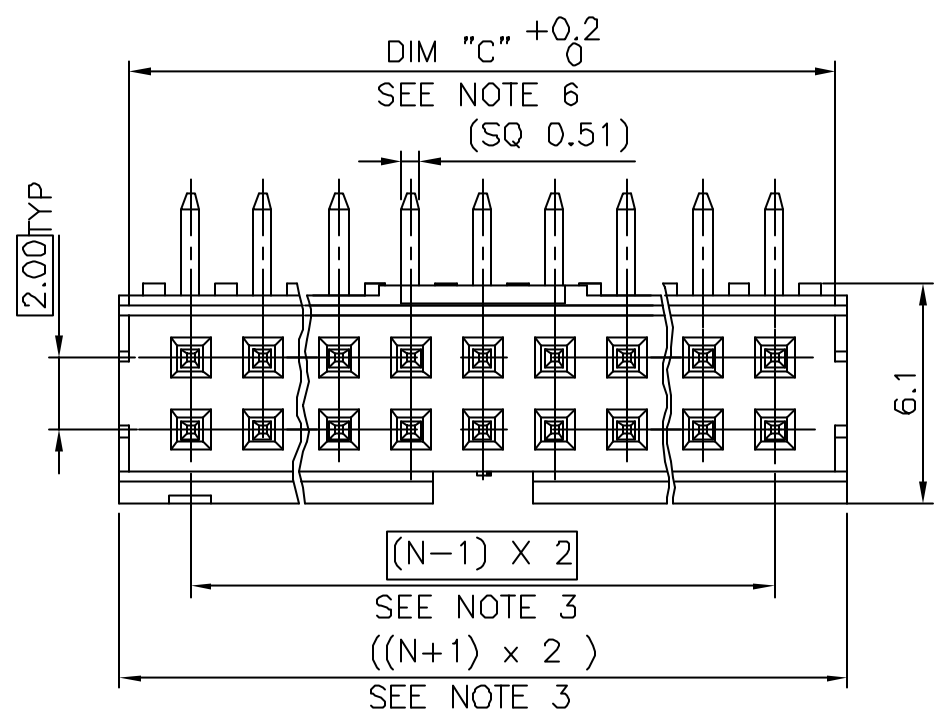
PLATING

- S = 0.38µm GOLD/GXT ON CONTACT AREA
3.81µm TIN LEAD ON TAIL
- G = 0.76µm GOLD/GXT ON CONTACT AREA
3.81µm TIN LEAD ON TAIL
- F = GOLD FASH ON CONTACT AREA
3.81µm TIN LEAD ON TAIL

WHEN REQUIRED, ADD SUFFIX LETTER "LF" INDICATES THE PRODUCT IS RoHS COMPATIBLE, SEE NOTE 8

PACKAGING OPTIONAL LETTER (SEE NOTE 5)

TOTAL NB OF POSITIONS, D4 TO 50



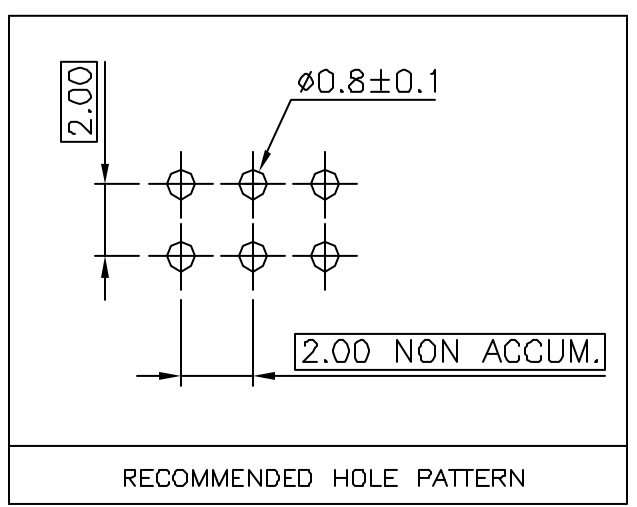
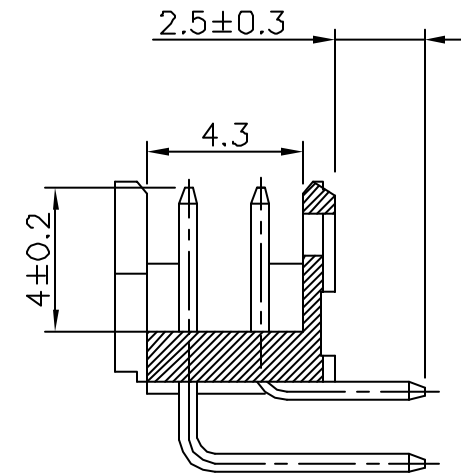
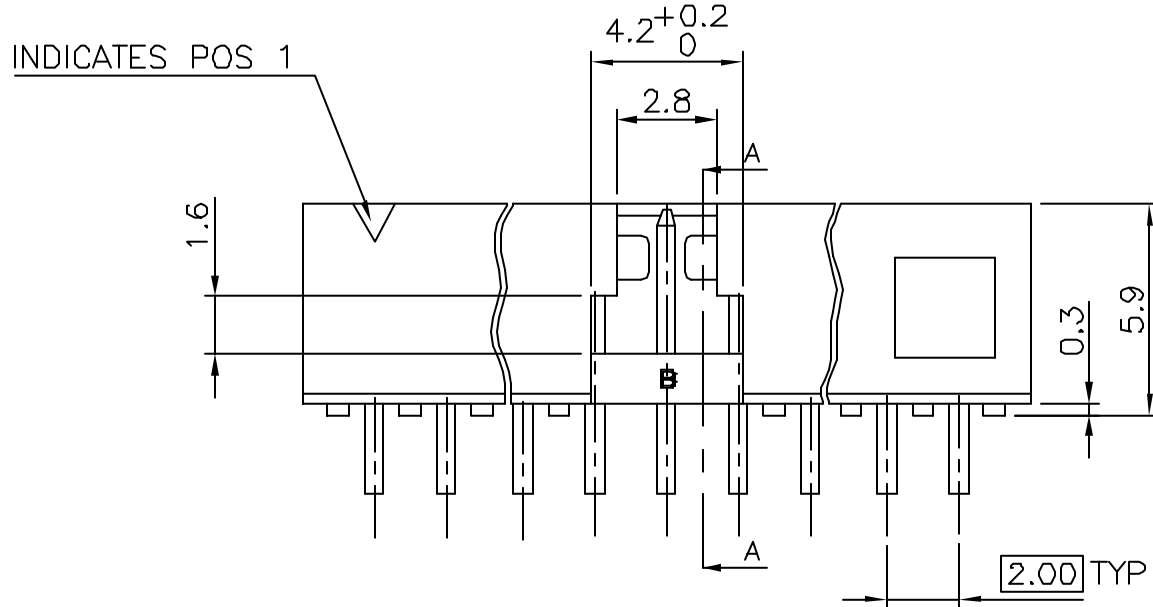
NOTES:

1. MATERIAL HOUSING: HIGH TEMP. THERMOPLASTIC UL 94V-0, COLOR CREAM
2. MATERIAL TERMINAL: COPPER ALLOY
3. TO DETERMINE DIMENSIONS: N = NUMBER OF POSITIONS PER ROW
4. 7N MIN. PIN RETENTION IN EITHER DIRECTION.
5. PACKAGING:
 - = PLASTIC BOX
 - = PLASTIC BOX WHEN POLARISATION FEATURE APPLICABLE
 - U = TUBE AVAILABLE FROM 06 TO 50 PDS

6. DIM "C" = (N x 2) + 1.4
EXAMPLE: N = 7
DIM "C" = (7 x 2) + 1.4 = 15.4 mm

B. RoHS COMPATIBLE PRODUCT SPECIFICATIONS

- a - PLATING:
 - "LF" MEANS THE PRODUCT IS LEAD-FREE, 2µm MINIMUM MATTE TIN OVER 1.27µm MINIMUM NICKEL UNDERPLATE.
- b - MANUFACTURING PROCESS COMPATIBILITY
 - THE HOUSING WILL WITHSTAND EXPOSURE TO 260°C ±5°C SOLDER BATH TEMPERATURE FOR 5 SECONDS IN A WAVE SOLDER APPLICATION WITH A 1.6mm MIN THICK CIRCUIT BOARD.
- c - LABELLING:
 - MEETS PACKAGING SPECS AS PER GS-14-920
 - THIS PRODUCT MEETS EUROPEAN DIRECTIVES AND OTHER COUNTRY REGULATIONS AS DISCRIBED IN GS-22-008.



mat'l. code		surface		tolerance		projection		product family	
SEE NOTES		ISO 1302 ✓		ISO 406 ISO		101		MINITEK	
ltr	ecn	na	dr	date	tolerances unless otherwise specified		title		
D	F20309	LMU		02.05.03	X.X ±0.3		SHR HEADER		
E	F04-035	JCO		05.01.13	Linear X.XX ±0.13		2.00 RIGHT ANGLE TMT		
F	F06-021	LMU		06.07.05	X.XXX ±0.05		scale 1:1		
G	F08-0113	LMU	dr	08.01.17	LMULIN	04.09.27	dwg no		
H	F08-015	JCO	engr	08.03.28	J.COMPAGNON	04.09.27	sheet 1 of 1		
J	F08-0145	ELA	chr	15.04.08			size		
sheet index		revision sheet		appd		JM.C		98464 A3	
								type CUSTOMER Drawing	



Copyright FCI